
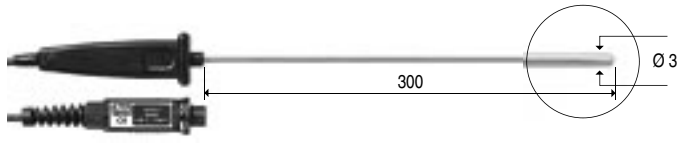
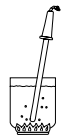
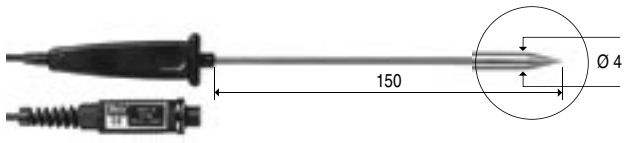
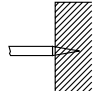
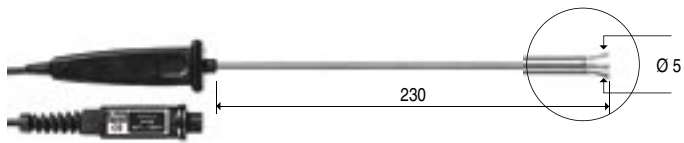
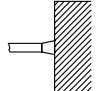
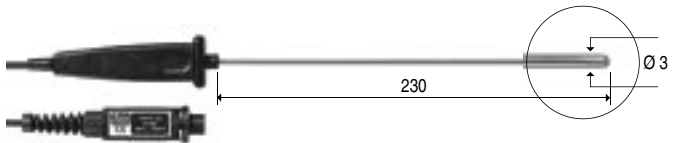
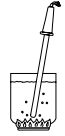
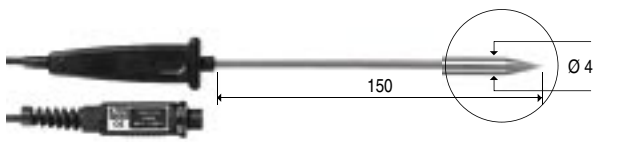
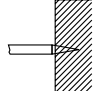

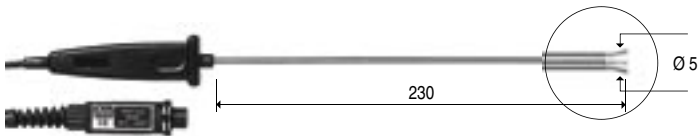
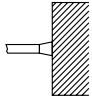

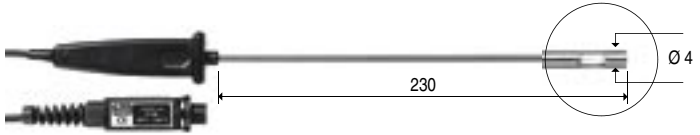

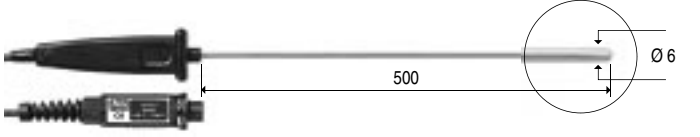
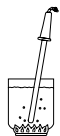
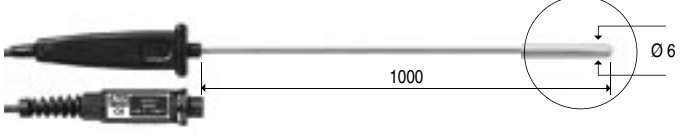
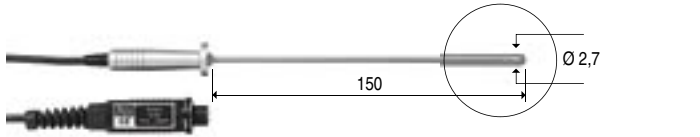
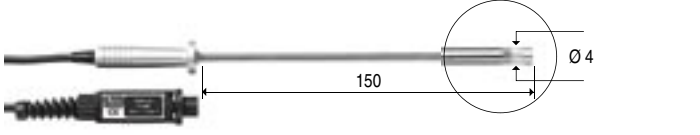
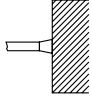
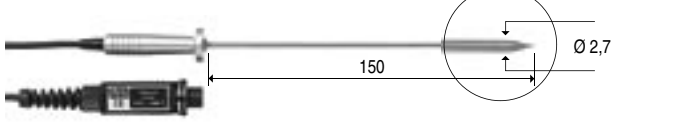
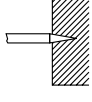
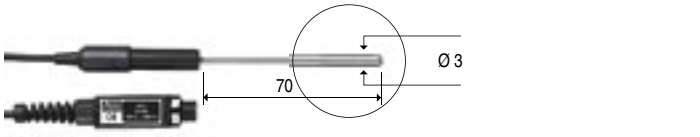
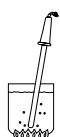


SONDES Pt100 POUR INSTRUMENTS PORTATIFS AVEC MODULE SICRAM


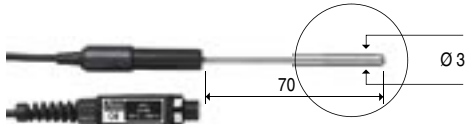
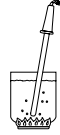
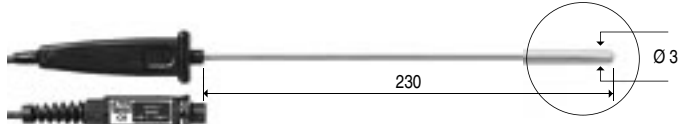
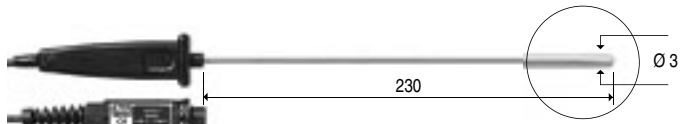
CODE	°C max	τ s	DIMENSIONS	EMPLOI	
TP472I	-196 +500	3s			HD2101.1 HD2101.2 HD2103.1 HD2103.2 HD2105.1 HD2105.2 HD2106.1 HD2106.2 HD2156.1 HD2156.2 HD2107.1 HD2107.2 HD2109.1 HD2109.2
TP473P	-50 +400	5s			HD2114.0 HD2114.2 HD2134.0 HD2134.2 HD2164.0 HD2164.2 HD2114B.0 HD2114B.2
TP474C	-50 +400	5s			HD2124.1 HD2124.2 HD2127.1 HD2127.2 HD2178.1 HD2178.2 HD2301.0 HD2303.0 HD2304.0
TP472I.0	-50 +400	3s			HD2305.0 HD2306.0 HD2307.0
TP473P.0	-50 +400	5s			DO2003 DO9847

SONDES Pt100 POUR INSTRUMENTS PORTATIFS AVEC MODULE SICRAM

CODE	°C max	τ s	DIMENSIONS	EMPLOI		
TP474C.0	-50 +400	5s				
TP475A.0	-50 +250	10s				
TP472I.5	-50 +400	3s				
TP472I.10	-50 +400	3s				
TP49A	-70 +400	3,5s				
TP49AC	-70 +400	5,5s				
TP49AP	-70 +400	4s				
TP87	-50 +200	3s				

- HD2101.1
- HD2101.2
- HD2103.1
- HD2103.2
- HD2105.1
- HD2105.2
- HD2106.1
- HD2106.2
- HD2156.1
- HD2156.2
- HD2107.1
- HD2107.2
- HD2109.1
- HD2109.2
- HD2114.0
- HD2114.2
- HD2134.0
- HD2134.2
- HD2164.0
- HD2164.2
- HD2114B.0
- HD2114B.2
- HD2124.1
- HD2124.2
- HD2127.1
- HD2127.2
- HD2178.1
- HD2178.2
- HD2301.0
- HD2303.0
- HD2304.0
- HD2305.0
- HD2306.0
- HD2307.0
- DO2003
- DO9847

SONDES Pt100 POUR INSTRUMENTS PORTATIFS AVEC MODULE SICRAM

CODE	°C max	τ s	DIMENSIONS	EMPLOI	
TP87.100 (Pt100) TP87.1000 (Pt1000)	-50 +200	3s			HD2101.1 HD2101.2 HD2103.1 HD2103.2 HD2105.1 HD2105.2 HD2106.1 HD2106.2 HD2156.1 HD2156.2 HD2107.1 HD2107.2 HD2109.1 HD2109.2 HD2114.0 HD2114.2 HD2134.0 HD2134.2 HD2164.0 HD2164.2 HD2114B.0 HD2114B.2 HD2124.1 HD2124.2 HD2127.1 HD2127.2 HD2178.1 HD2178.2 HD2301.0 HD2303.0 HD2304.0 HD2305.0 HD2306.0 HD2307.0 DO2003 DO9847
TP47.100 (Pt100)	-50 +400	3s			
TP47.1000 (Pt1000)	-50 +400	3s			
TP47	Module pour le branchement direct de capteurs Pt100 4 fils, Pt100 3 fils, Pt1000 2 fils et Ni1000 2 fils.		